

TECHNICAL DATA SHEET
Ref. 500009
Bipolar battery
master switch
24VDC / 250A



GENERAL CHARACTERISTICS

Protection degree: IP66
 Ambient temperature: -40°C to +85°C
 Weight: 1.00 Kg approx.
 Contacts: Copper
 Connections: not polarized

FIELDS OF APPLICATION

Agriculture machinery, industry...

POWER CIRCUIT

Connection: M10 terminals
 Tightening torque: 1.5 +/- 0.1 daN·m
 Type: Normally open **BIPOLAR**
 Max. using tension: 48 VDC
 Nominal current: 250 A
 Max. capacity: 2500 A during 5 seconds

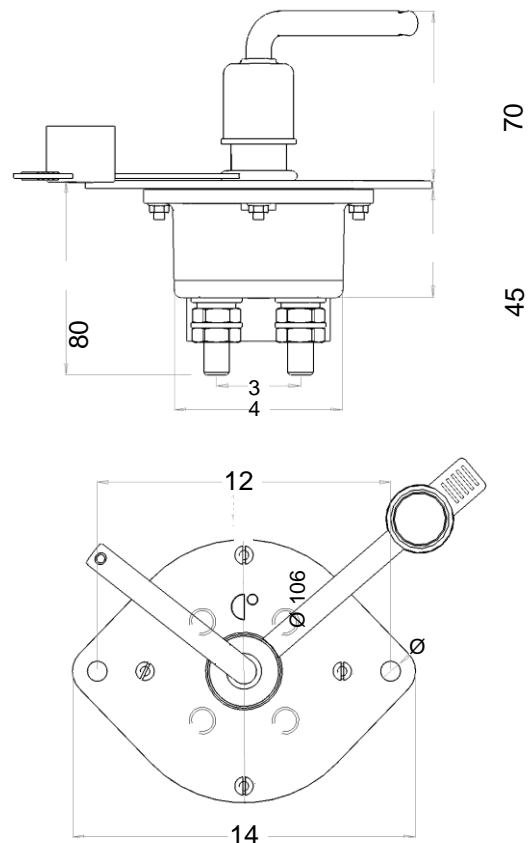
PARTICULAR CHARACTERISTICS:

Removable handle with PVC protector

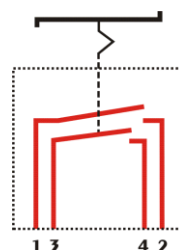
SPARE PARTS

Handle + chain + protector	520020
Handle	500029
Strap + PVC protection	520003

Size diagrams



Connection diagram



Fixing diagram

