

TECHNICAL DATA SHEET  
**Ref. 500008**  
**Unipolar stainless steel**  
**Battery master switch**  
**24VDC / 150A**



### GENERAL CHARACTERISTICS

Protection degree: IP63  
 Ambient temperature: -40°C to +85°C  
 Weight: 0.264 Kg approx.  
 Contacts: Copper  
 Connections: not polarized

### FIELDS OF APPLICATION

Handling vehicles, industrial vehicles,  
 agriculture machinery, industry...

### POWER CIRCUIT

Connection: M10 terminals  
 Tightening torque: 1.5 +/- 0.1 daN·m  
 Type: D1 normally open  
 Nominal current: 150 A  
 Nominal voltage: 24 VDC  
 Max. capacity: 1000 A during 5 seconds

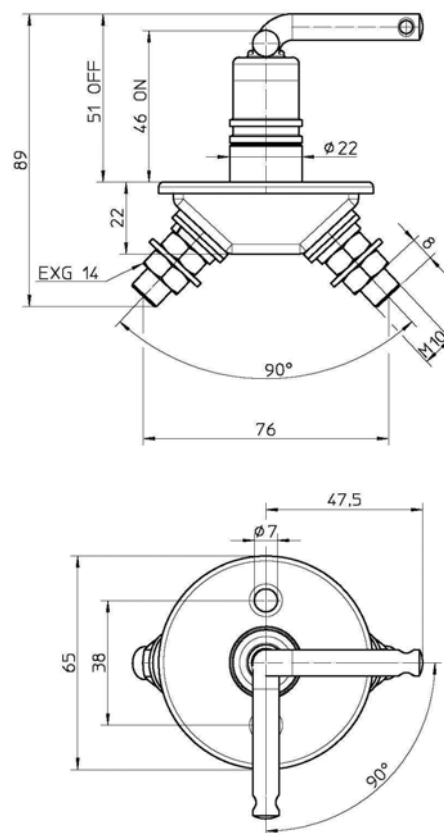
### PARTICULAR CHARACTERISTICS:

Stainless steel  
 Removable handle with PVC protector

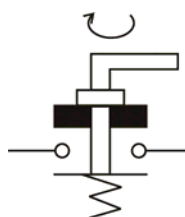
### SPARE PARTS

Handle + chain + protector	520024
Handle	520002
Strap + PVC protection	520004

### Size diagram



### Connection diagram



### Fixing diagram

